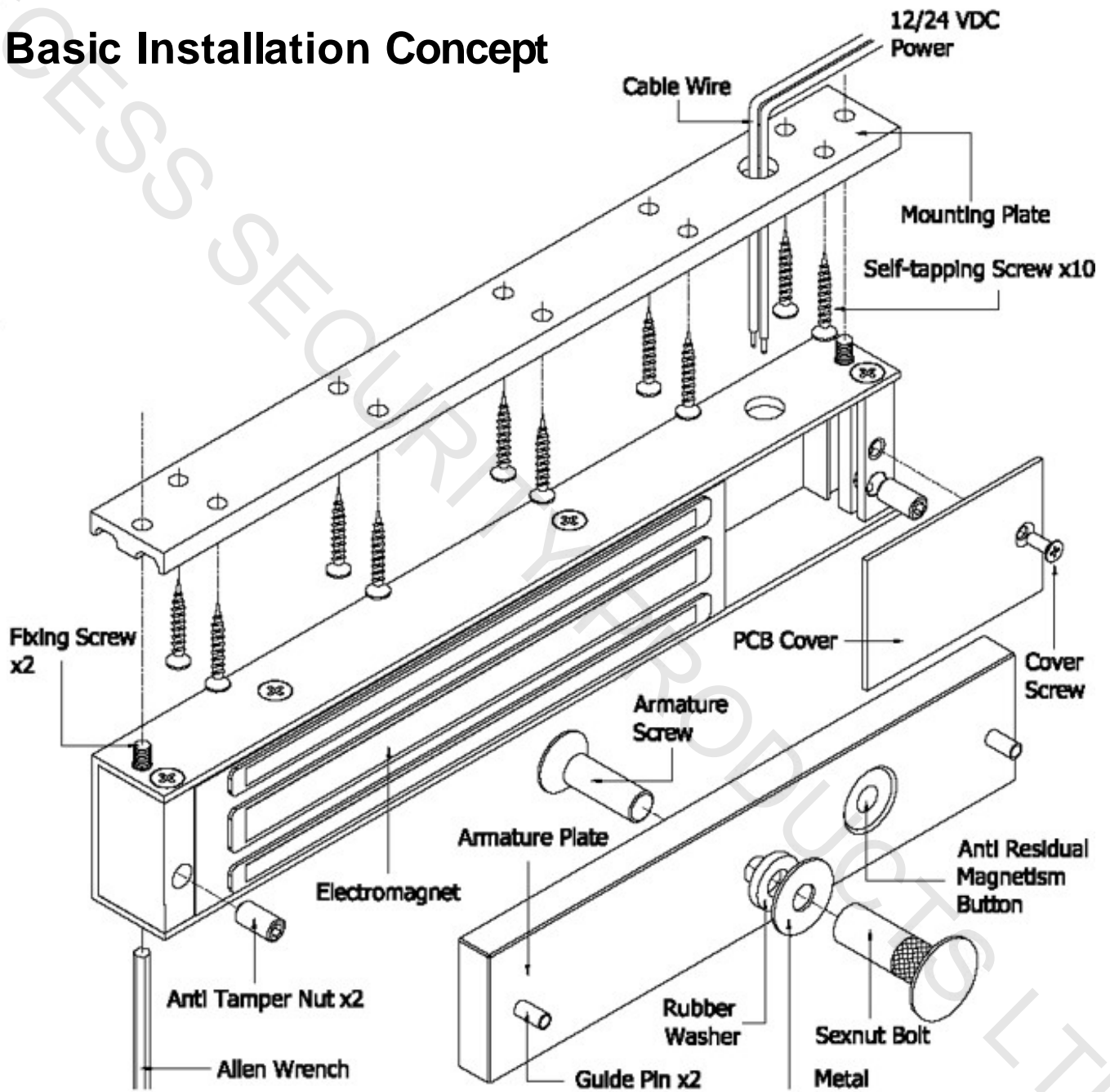


Electromagnetic Lock Installation User Guide

Basic Installation Concept

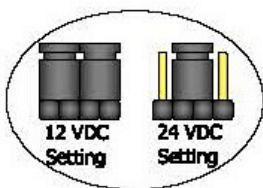


Electromagnetic Lock

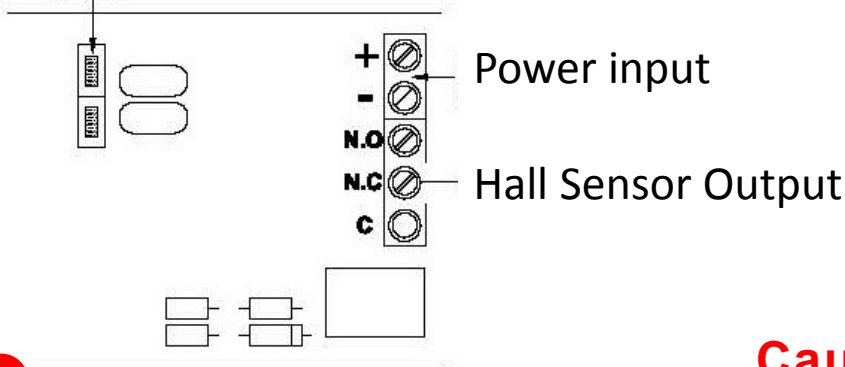
General Installation Steps

- 1: Drill the armature plate holes in the door using the template provided
- 2: Attach the door armature plate to the door with the hardware provided and as shown on page 1
- 3: With the door closed, mark the door frame at the edge of the armature in order to properly align the maglock to the armature
- 4: Attach mounting plate to the door frame using the self-tapping screws provided then align the mounting plate with the mark from step 3
- 5: insert wiring through wiring hole in mounting plate and into maglock. Attach maglock to the mounting plate with Allen headed fixing screws
- 6: Screw in the anti tamper nuts to prevent unauthorised access whilst door is in secured position and to prevent the fixings from becoming loose over time.
- 7: Connect power wiring according to instructions and test.
- 8: Recommended that you apply a light coat of silicon lubricant to surface to prevent rust over period.

Maglock PCB Board



Hall Sensor only available on Monitored Maglock
Door Sensor Position only on Door Status Maglock



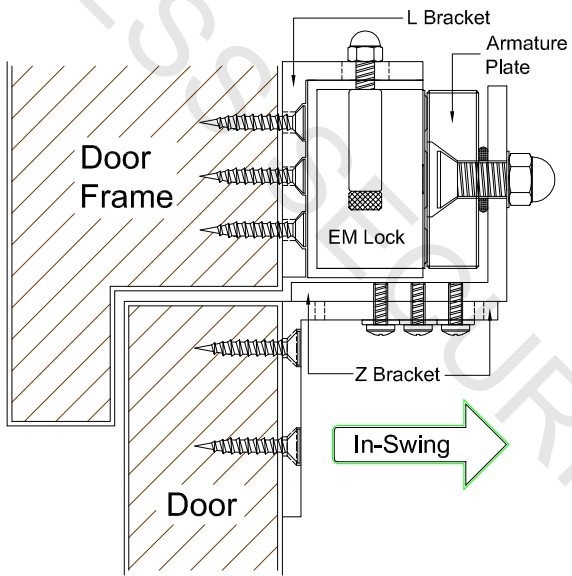
Caution



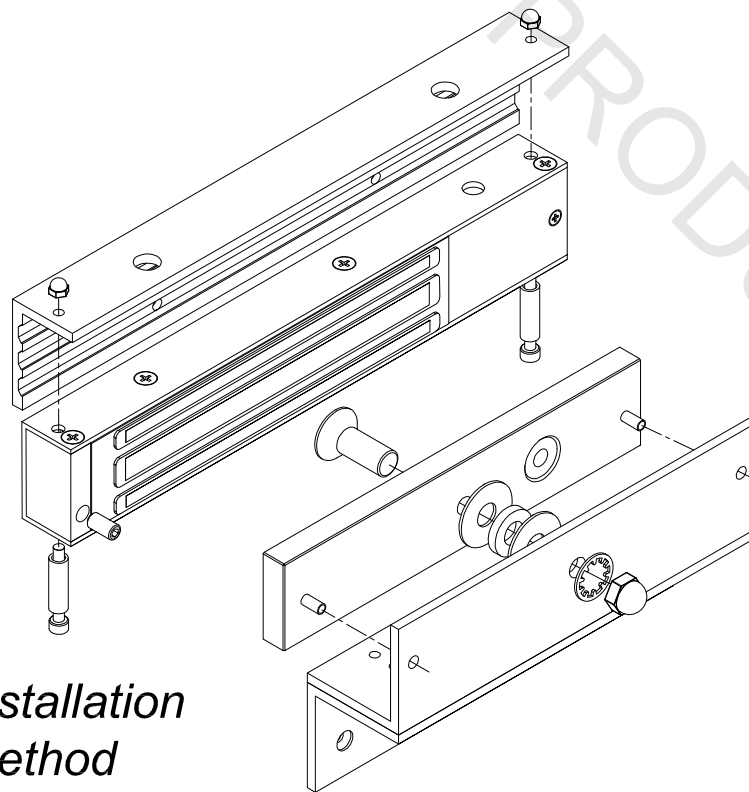
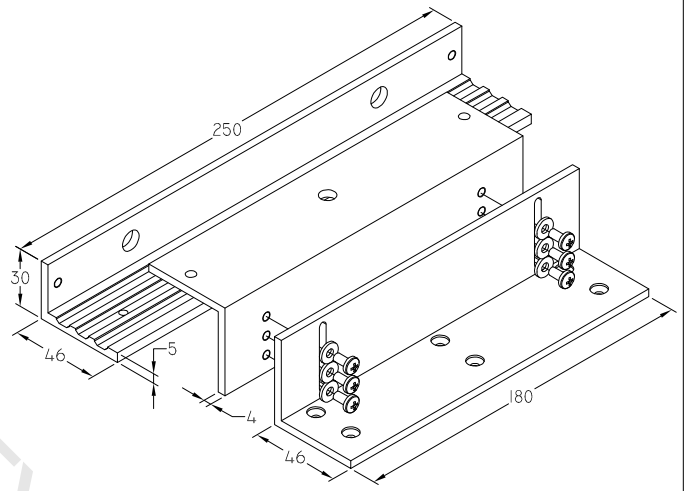
Set jumper position for 12v or 24v correctly before powering up maglock

ZL Bracket

Bracket Application

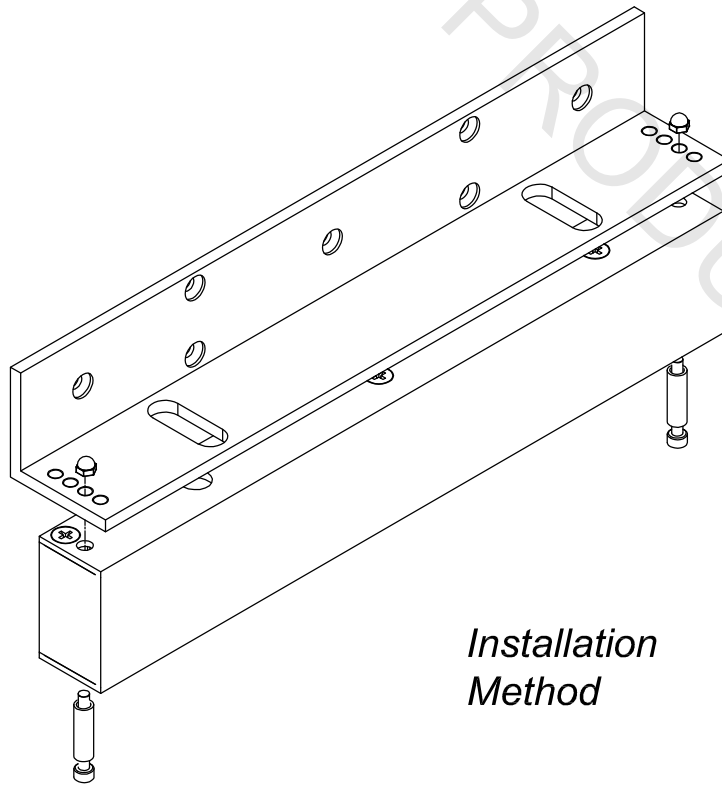
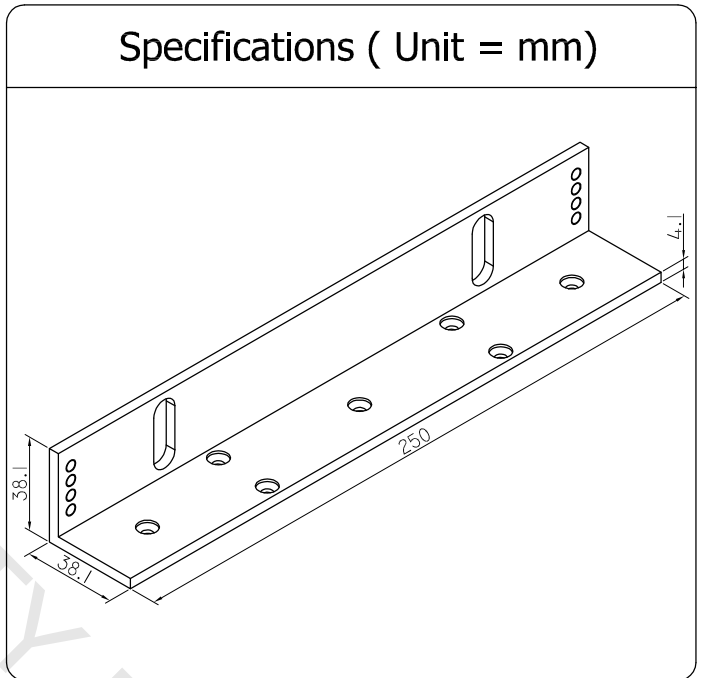
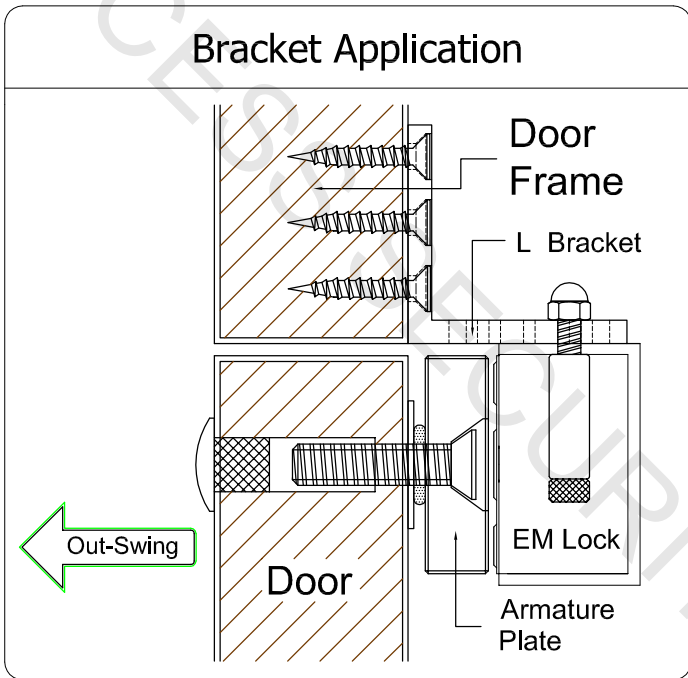


Specifications (Unit = mm)



*Installation
Method*

L Bracket



*Installation
Method*