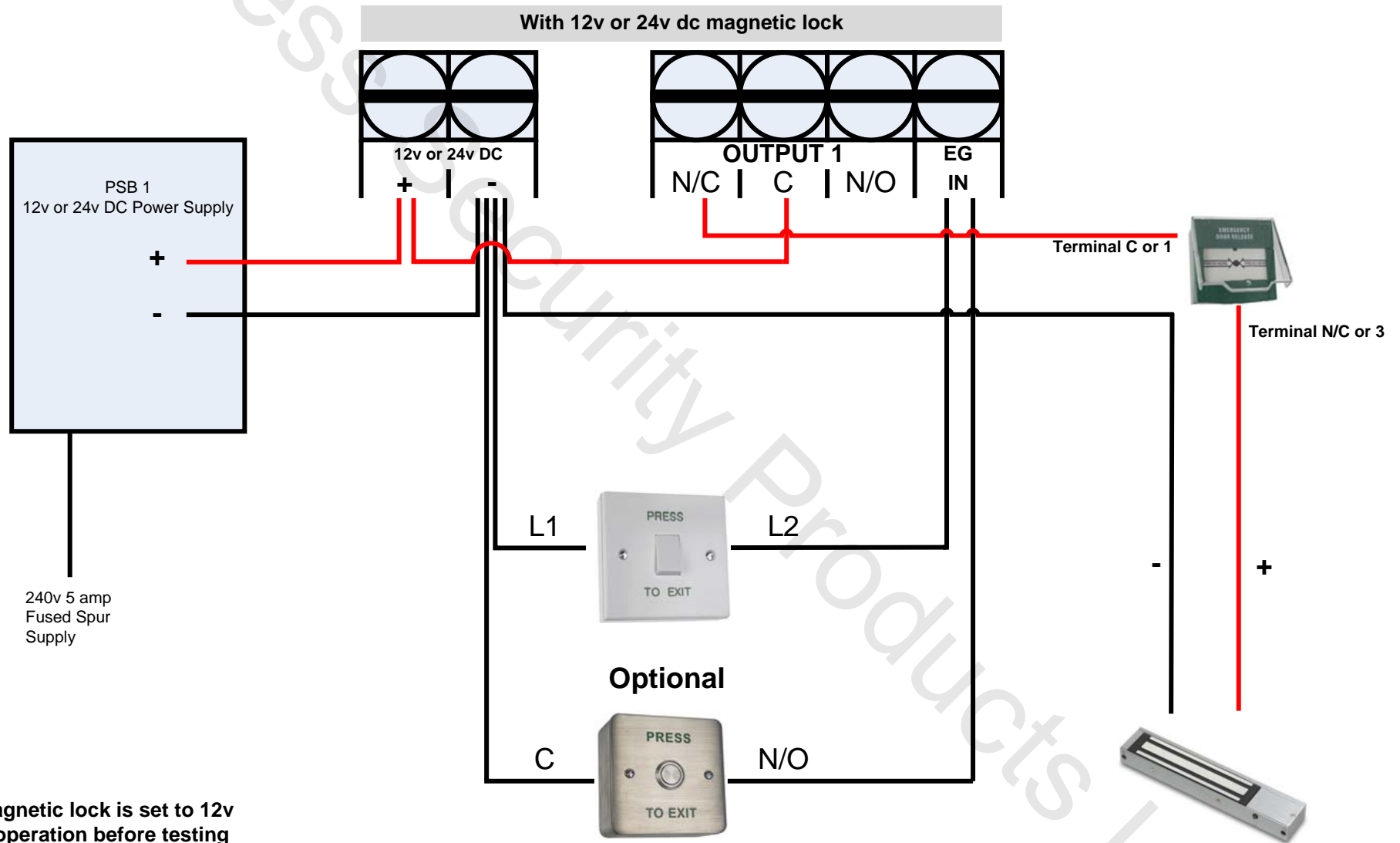
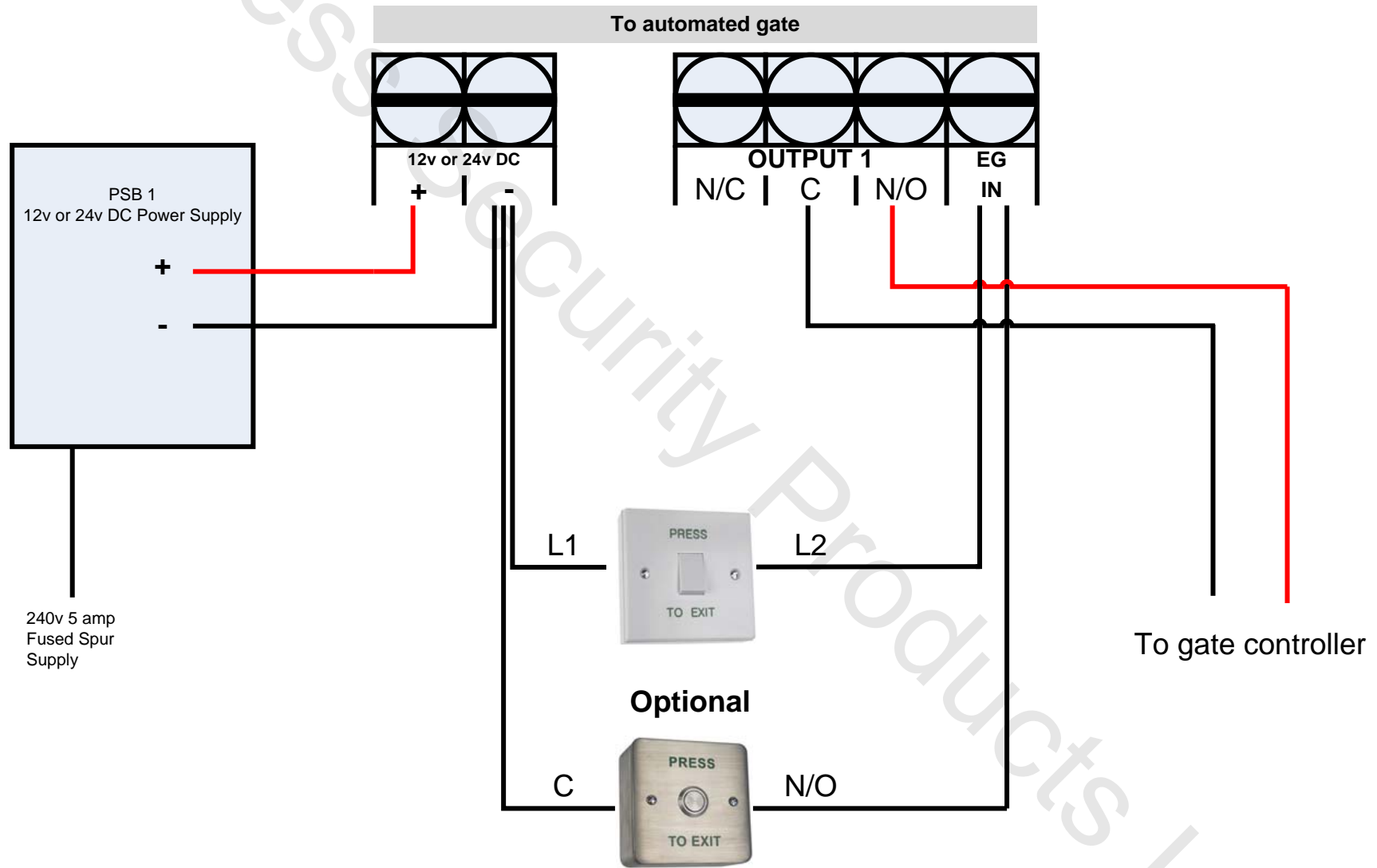


Access control system to magnetic lock

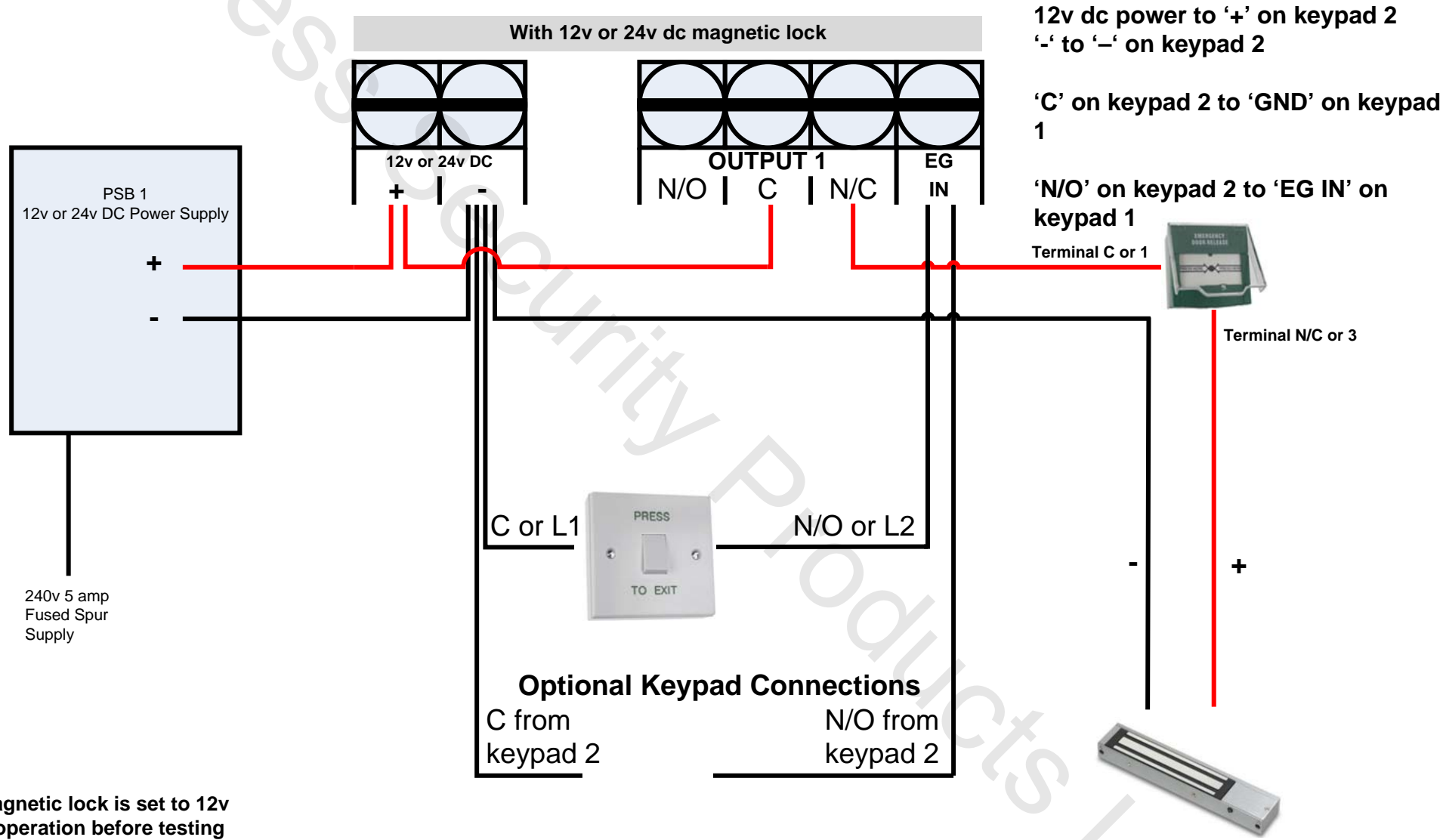


Ensure magnetic lock is set to 12v or 24v dc operation before testing

Access control system to automated gate



Access control system with additional keypad



Ensure magnetic lock is set to 12v or 24v dc operation before testing