

Hardwired:

Voltage: 12 – 28v DC

Current: 11.23 ma Quiescent. 34.5 ma operated

LEDs: Blue - 18 ma Red – 18 ma Green – 18ma

Relay: 28v DC 1A - 120v AC 0.3A Isolated – volt free contacts.

Radio: 868.35MHz Rolling Code. Memory 200.



Fitting Instructions:

Glass Unit. (G---)

NB: This unit will not function on UPVC Door sets or if Glass has been treated with any metallic element.

Choose location & Height (Centre 900 to 1000 F. F. L)

Drill hole in side of Box to align with cable entry.

Clean & Dry glass.

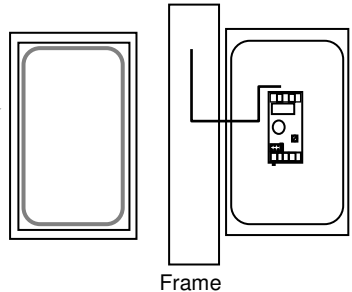
Insert cable through hole in box.

Ensure label is free of debris.

Remove Adhesive cover.

Carefully position squarely, aligning with cable entry.

Apply pressure to label to ensure adhesion.



Architrave & Round units. (A--- R---)

"External Quality"

Ascertain fixing height. (Centre 900 to 1000 F. F. L)

Use back Plate to mark cable hole & Screw fixing points.

Round unit may be angled towards approaching Users, Remove all Brown adhesive protection and carefully attach label.

Fix top retaining screw (No 8 or 10) leave 4 mm of screw shaft protruding.

Fit Back seal to rear of plate if required, or save for uneven surfaces when 2 or more seals will ensure weatherproofing.

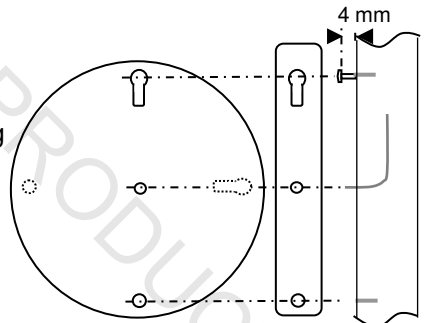
NB: If fitting to wallpapered surface leave backing paper on seal.

Place cable through Back-plate or connect Battery and Program Radio to Receiver.

Make connections. (see "Sample circuit")

Place Back-plate in position.

Hook unit onto Screw & fit retaining screw.



Single Gang units: (SG---)

"Internal Quality"

Fits any UK Metal or Plastic back-box. Surface or Flush

