

Sensitivity Setting: (Touch to Long Range)

Once the unit is in position, power up, and check operation.

To alter the range. Remove power. Increase or decrease JP1 position.

4 = High 1 = Low . Re-apply power. Check operation.

(Minimum sensitivity should allow for a gloved Finger)

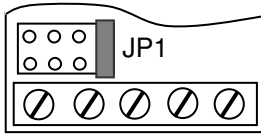
Standard Sensitivity settings:

Glass units: 3 or 4

Architrave: 2 or 4

Round: 2 or 4

SG: 1- 4

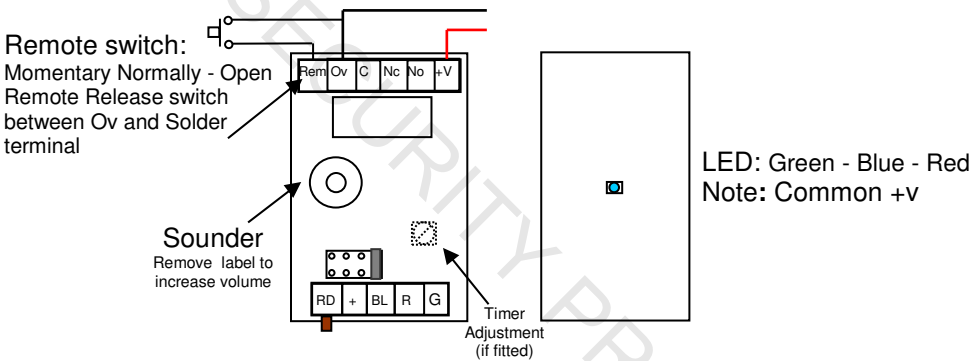


4 3 2 1
High - - Low

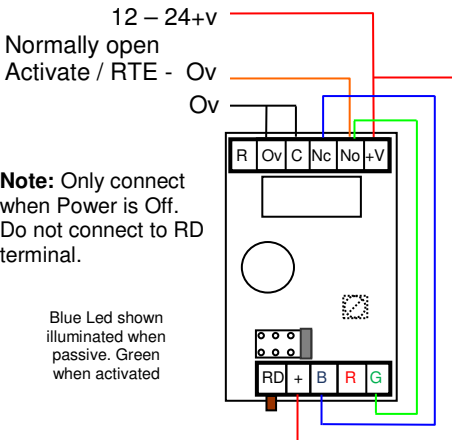
The unit auto tunes immediately as power is applied

Timer / Remote operation

The Relay timer is pre set to app 2.5 Seconds. (Unless specified with variable potentiometer)

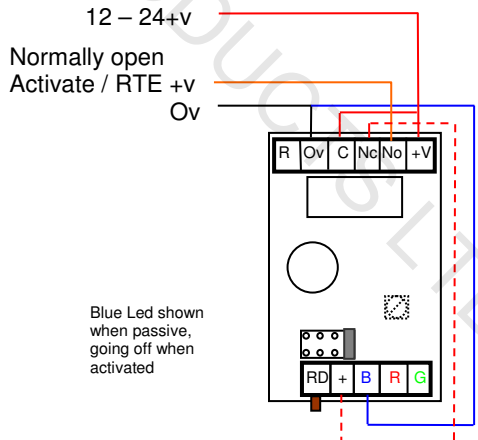


Normally Open contacts. 0v Return.



Sample Circuits:

Normally Open contacts +v Return



See: Receiver Cover Label for Radio Touch Programming instructions