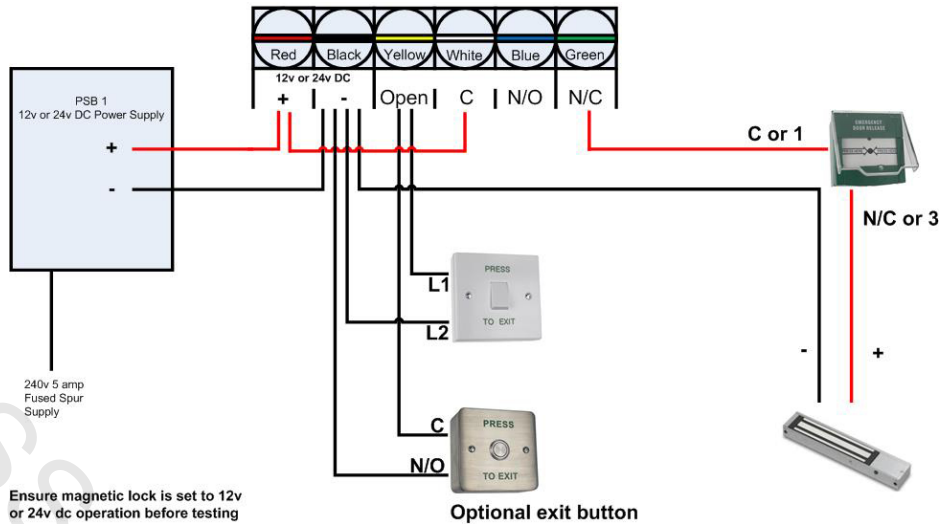
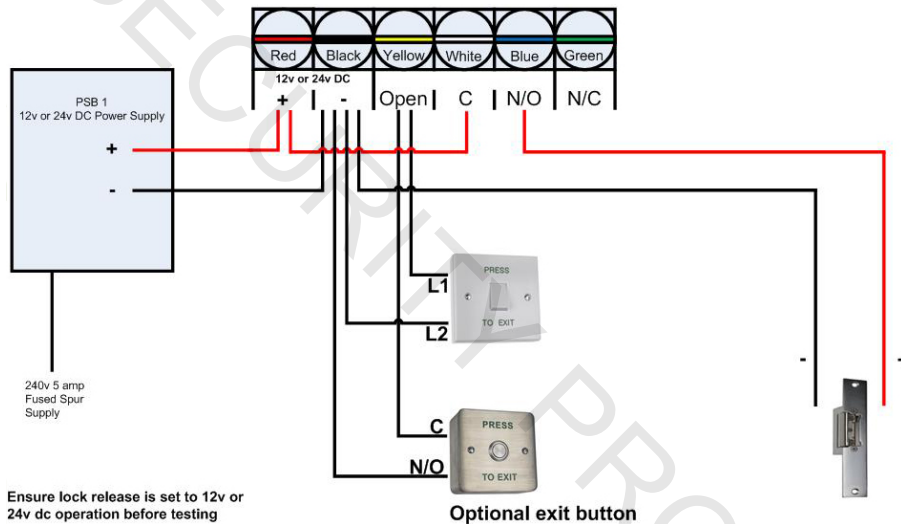


Connection Diagram Examples

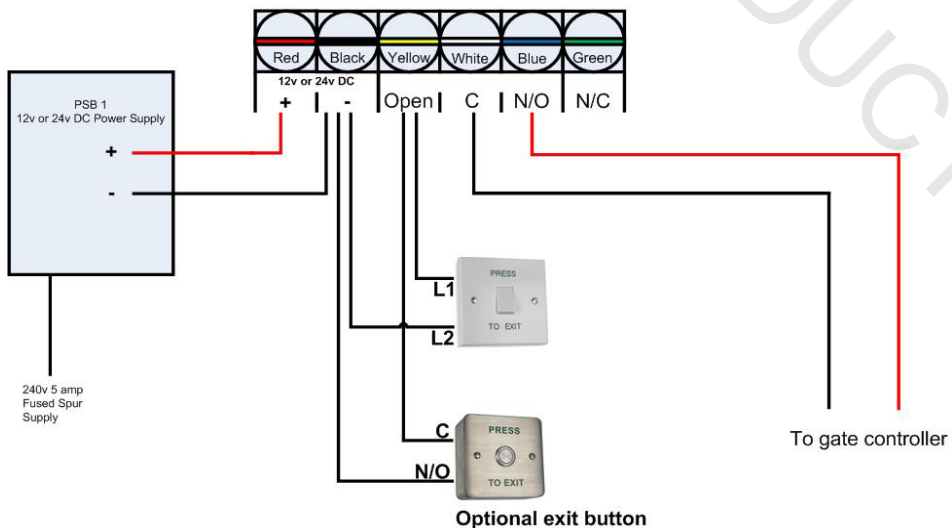
Common power supply for magnetic lock (Fail open – power to lock)



Common power supply for lock release (Fail secure – power to unlock)



Common power supply for auto gate controller (using Normally Open contact)



Comments: Relay 2 can be used to operate a doorbell if there is no need to operate a second door. The wiring to connect the doorbell is via NO2 and COM2. Press #, the K401-E will send out a switching signal to the doorbell, as long as you press the " #", the doorbell will operate, it will stop when you release the " #"