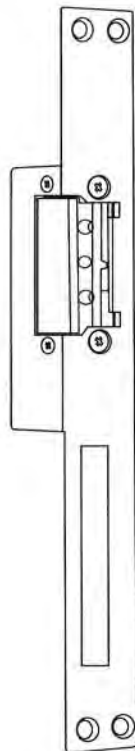
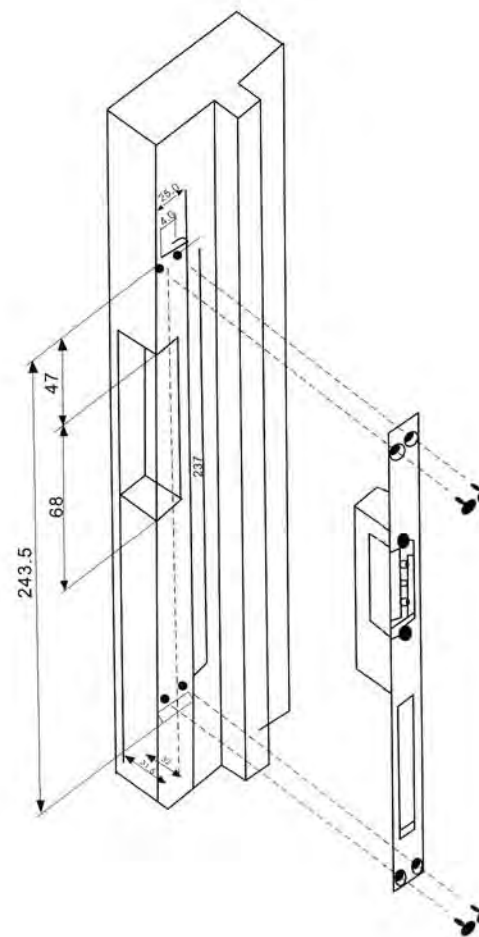
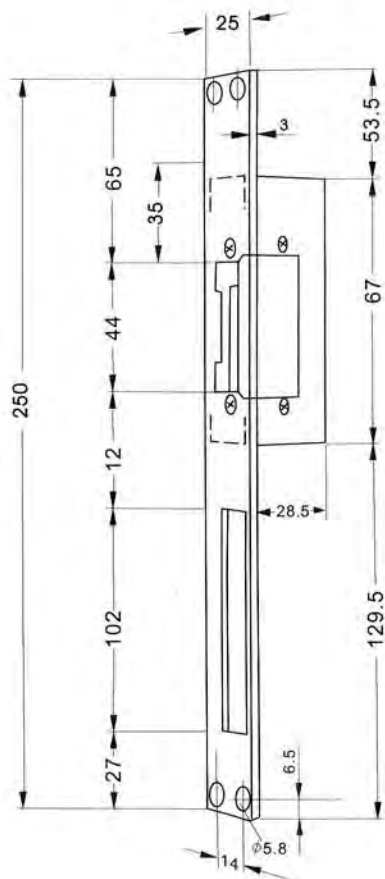


ELECTRIC STRIKE



INSTALLATION



SPECIFICATION

FACE PLATE: 250LX25WX31.5H(MM)
VOLTAGE: 12VDC
CURRENT: 700mA